



(11) (A) No. **1 228 833**

(45) ISSUED 871103

(52) CLASS 204-152
C.R. CL. 322-1

(51) INT. CL. C25B 1/04⁴

(19) (CA) **CANADIAN PATENT** (12)

(54) Gas Electrical Hydrogen Generator

(72) Meyer, Stanley A.,
U.S.A.

(21) APPLICATION No. 420,896
(22) FILED 830204
(30) PRIORITY DATE U.S.A. (435,889) 821021

No. OF CLAIMS 21

Canada

420896

1 ABSTRACT:

2 A hydrogen gas generator system for converting water
3 into hydrogen and oxygen gasses, in combination with a mag-
4 netic particle accelerator for voltage/current amplification.
5 The hydrogen gas generator encompasses an array of plates
6 immersed in water in a pressure tight enclosure. Direct current
7 voltage applied to the plates causes the hydrogen/oxygen gasses
8 to disassociate from the water molecule. The upper portion of the
9 container is a hydrogen/oxygen collection chamber for maintaining
10 a predetermined gas pressure. A hydrogen/oxygen gas mixture
11 outlet means connected to the collection chamber of the gen-
12 erator includes a magnetic polarizer for establishing a magnetic
13 field and thereby imparting a magnetic potential to the hydrogen
14 gas and the oxygen gas atoms as they are being pressure released
15 from the collection chamber. Attached to the gas outlet means is
16 a non-magnetic conductive loop of tubing. A coil wound around the
17 tubing will have a voltage induced therein as the pressure velo-
18 city polarized magnetized gas particles pass therethrough. The
19 induced voltage has utilization as an electrical power source.
20 The hydrogen and oxygen gas may be utilized (~~such as~~) in a burner
21 system or alternatively returned to the gas storage portion of
22 the hydrogen generator in a closed-loop arrangement for re-
23 cycling.

CROSS REFERENCE AND BACKGROUND:

There is disclosed in my co-pending Canadian patent application, filed February 4, 1983, Serial Number 420,908, for, Hydrogen Generator, a hydrogen gas generating system.

5 The apparatus comprises a pressure tight enclosure for a water bath having immersed therein an array of plates. The hydrogen and oxygen atoms are disassociated from the water molecule by the application of a non-regulated, non-filtered, low-power, direct current voltage potential to the
10 plates having water passing therebetween. The plates are non-oxidizing and of similar metal to comprise a sub-atomic action non-electrolysis system. The upper portion of the container is a hydrogen/oxygen storage chamber for maintaining a predetermined level.

15 In my co-pending Canadian patent application, Serial Number 420,890, for, Controlled Hydrogen Gas Flame, filed February 4, 1983, there is disclosed a hydrogen gas burner. The nozzle in that burner is connected to the storage area or gas collection chamber via an appropriate line. The port in
20 the nozzle has an opening of a controlled size and configuration, related to the size of the flame and the temperature and velocity of the burning gas mixture.

Also, in my co-pending Canadian patent application, Serial Number 420,909, for Electrical Particle Generator, filed
25 Feb. 4, 1983, there is disclosed an electrical generating system.



The non-magnetic pipe is filled with the discrete gas particles having a magnetic polarized field placed thereon. The magnetic charged gas particles, proceed through the pipe at a high velocity dependent on the pressure in the gas generator storage chamber.

As the magnetic particles pass through the core of the winding there is induced a voltage/current therein, that may be utilized in the same manner as any other electrical source.

The hydrogen/oxygen gas mixture emitted from the opposite end of the pipe is connected to a gas burner where the hydrogen/gas mixture may be utilized such as for a flame as shown in my copending Canadian application, Serial Number 420,890. When the flame is not in use the gas is directed back by alternate means to the storage chamber in the hydrogen generator in a closed loop arrangement.

20

25

SUMMARY OF INVENTION:

The present invention utilizes the basic principle of a particle accelerator and the principle of inducing a voltage current in a secondary winding by passing a magnetic element therethrough in combination with a hydrogen gas generator. 5 The particle accelerator utilizes the principles of my co-pending application, Serial Number, 420,909, and the hydrogen generator is particularly that of my co-pending patent application, 420,908.

10 The structure comprises an electrical inductive winding, having a large number of turns and an output for utilizing the voltage current induced therein. The inductive winding is positioned around an endless - closed loop, non-magnetic pipe or tubing.

15 The hydrogen gas generator encompasses an array of plates immersed in a pressure tight enclosure. Direct current voltage applied to the plates causes the hydrogen/oxygen gasses to disassociate from the water molecule. The upper portion of the container is a hydrogen/oxygen storage chamber for maintaining a predetermined gas pressure. 20 A hydrogen/oxygen gas mixture outlet means connects the non-magnetic tubing to the storage chamber of the generator. Adjacent the outlet a magnetic polarizer establishes a magnetic field and imparts a magnetic potential to the hydrogen and the oxygen gas being pressure 25 released from the outlet.

1 The apparatus comprises a non-magnetic pipe in a closed loop
2 having a substantial amount of magnetized particles encapsulated
3 therein. A magnetic accelerator assembly is positioned on the
4 pipe includes an inductive primary winding with a low voltage
5 input. A secondary winding is positioned on the pipe opposite
6 to the primary winding. Upon voltage being applied to the
7 primary winding the magnetized particles accelerate through the
8 magnetic accelerator assembly with ^{increased} ~~increase~~ velocity. The
9 velocity accelerated particles induce an electrical voltage/
10 current potential as they pass through the secondary winding.
11 In a closed-loop system the process is continuous. The
12 increased secondary voltage current is utilized in a direct
13 current or alternate current amplifier arrangement.

1 OBJECTS:

2 It is a principal object of the present invention to
3 provide a hydrogen gas electrical generator capable of
4 producing a voltage/current much greater in magnitude here-
5 intofore possible.

6 Another object of the present invention is to provide
7 such a hydrogen gas electrical generator utilizing magnetized
8 elements and wherein the magnetized elements are charged gas
9 particles from a hydrogen generator.

10 Another object of the present invention is to provide such
11 a hydrogen gas electrical generator in combination with a control-
12 led output hydrogen generator.

13 Another object of the present invention is to provide
14 such an electrical generator that may be utilized with a hydro-
15 gen generator having another utility output for alternative
16 generation.

17 A further object of the present invention is to provide
18 such an electrical generator that utilizes components readily
19 available ^{and} ~~are~~ adaptable to the simplified embodiment.

20 Other objects and features of the present invention will
21 become apparent from the following detailed description when
22 taken in conjunction with the drawings in which:

BRIEF DESCRIPTION OF DRAWINGS

Figure 1 is a simplified illustration of the principles of the invention, in cross section showing the particles voltage/current amplifier together with the hydrogen generator in a preferred embodiment.

Figure 2 is a magnetic particle tubing, in an electrical schematic circuit arrangement, illustrating the induced direct and alternating current voltage.

DETAILED DESCRIPTION OF DRAWINGS:

Referring now to Figure 1 there is illustrated the invention of the preferred embodiment in a simplified schematic arrangement. The generator 10 comprises an airtight pressure enclosure/housing 15. The housing 15 is filled with water 12 to a predetermined level. Immersed in the water 12 is an array of plates 14. In the preferred embodiment of the invention of Figure 1, as disclosed in my co-pending application Serial Number 420,908. The plates 14 are in pairs of similar non-oxidizing metal. A negative voltage current potential and a positive voltage current potential from source 16 is applied to alternate plates of the array 14. The generation of hydrogen/oxygen is a sub-atomic process, i.e., not electrolysis. That is, the applied potential to the plates causes the hydrogen and oxygen atoms to disassociate themselves from the water molecule. Accordingly, the process is operative with any water irrespective of its purity or amount of contamination.

It is understood, of course, that the hydrogen generator may be that of the electrolysis process---although more costly and less efficient. In that event the plates 14 would be an anode and cathode and the water would be distilled water with a chemical added.

5 The released hydrogen gas depicted as particles 20a xxx n and oxygen gas particles 22a xxx n are collected and stored in the chamber 23 together with other released gasses such as nitrogen 21a xxx. The chamber 23 further includes switch means 57 to shut off the electrical source 16 to the generator system
10 when the pressure in the chamber 23 sensed by pressure gauge, 55, achieves a predetermined level.

In the operation of the hydrogen generator as a burner, as disclosed in the co-pending patent application Serial Number 420,890, the outlet tube 25 is connected directly to the nozzle
B 15 40 to obtain the flame ^{45.19}45 upon ignition. The operation of the gas burner is not altered in the present invention.

There is interposed in the line 25, a magnetic polarizer 30 having magnetic poles 32 and 34. The magnetic polarizer 30 may be a permanent magnet or an electrical magnet capable of
20 creating a magnetic field 36 across the non-magnetic tubing 25. The magnetic field 36 in turn imparts a magnetic charge to the gasses released from the storage chamber ²³~~33~~. The hydrogen gas particles become positively magnetically charged and the oxygen particles become negatively magnetically charged - producing a
25 magnetized gas - mixture.

Also connected to the outlet tubing 25 adjacent to the magnetic polarizer 30 is a series of loops of non-magnetic tubing 50. The tubing in its loop configuration can be any one of the arrangements illustrated in my co-pending patent application, Serial Number 420,890. The opposite end 51 of the looped tubing 50 is connected via a Y connection either to the burner assembly 40, via line 35, or a return line 42 to the storage chamber 23. As aforesaid, the storage chamber 23 is maintained at a predetermined pressure; and once the pressure is attained the gas particles will be expelled into outlet line 25 with a substantial velocity. The pressure released particles become charged by the magnetic polarizer 30 and pass through the entire loop arrangement of tubing 50.

The loop arrangement of tubing 50 has wound thereon a substantial number of turns 60a xxx n in a winding. The number and size of the turns is related to the tubing configuration and voltage current output. The magnetically charged gas particles traveling with a high pressure velocity pass through the tubing 50. As the magnetically charged gas particles pass through the core of the winding, there is induced a voltage current therein through its inductive field. The output voltage current is utilized via terminals 70-72.

Upon demand for the flame, (such as for heat) from demand circuit 65, the valve 37 is opened causing the gas mixture to go to the nozzle 40 and provide the flame 45a upon ignition.

Upon satisfaction of the demand, the valve 37 will close and thereby cause the gas mixture to return to the collection chamber 23 via close loop line 42. In this arrangement the pump 45 will turn on and cause a continuous circulation of the gas through the closed loop. One way check valve 49 assures that no gas enters line 42 when the pump 45 is quiescent. If the gas in the collection chamber is of the preset pressure, as sensed at gauge 55, the voltage via terminal 16 will be cut-off discontinuing the generation of gas.

10 With particular reference to Figure 2 there is illustrated, partly in schematic and partly pictorial, the preferred embodiment of the invention.

Initially it is noted that the pump 45 of Figure 1 has been replaced by the particle accelerator 46. The accelerator 15 46 is a non-mechanical/no moving part element and therefore not subject to wear. The hydrogen and oxygen gases have placed thereon a magnetic field potential. Hence, as the magnetized gases approach the accelerator 46 they are attracted and as they pass the center of the accelerator they 20 are propelled therethrough.

Other propulsion means in lieu of the pump 45 of Figure 1 or the accelerator 46 of Figure 2 may be utilized.

The volume of the hydrogen/oxygen gas as directed by the storage area 23 and the pressure of the hydrogen/oxygen gas 25 stored therein determines the magnetic field strength. The

greater the pressure, the greater the velocity; and, in turn, the greater the voltage/current output.

The induced current/voltage can be, at the output 70-72, either direct current, or alternating current, or both.

5 With reference to Figure 2, the simplified schematic illustrates a direct current voltage in parallel connected windings of coil 74 and an alternating current in series connected windings of coil 75.

10 The number of coils 74a xxx n of coil 74 will determine the ripple frequency of the direct current voltage and its amplitude. Similarly, the number of windings 75a xxx n will determine the alternating frequency of the alternating current voltage and its amplitude in coil 75.

15 More importantly, the aforesaid ripple frequency of the single polarity voltage of coil 74 and alternating frequency of the alternating voltage of coil 75 can be altered, varied, and controlled. That is, the frequency is a function of the number of discrete windings of the coils times the velocity of the gas per second. The velocity of
20 the gas, in turn, is varied by varying its magnetic field; and the magnetic field is varied by varying the pressure of the gases in the chamber 23.

Further, it has been found that the increase in pressure of the gases in chamber 23 increases the velocity
25 of the gas exponentially. Simply, an arithmetical increase in pressure of the gases released results in a geometrical increase in

1 frequency and amplitude of the output voltage from either the
2 direct current winding 74 or the alternating current winding 75.

3 There will be instances where an increase in velocity
4 (pressure) is needed to increase the output voltage of the
5 electrical generator but the generation of more hydrogen gas may
6 be undesirable. That is, for instance, ^{when} the flame ^{45A} 45 is a con-
7 trolled gas mixture flame. The addition of more hydrogen will
8 increase the temperature of the combustibility of the mixture
9 and will increase its velocity. The utility of the flame, if
10 not quenched, will be affected proportionately.

11 Accordingly, to increase the gas pressure in chamber 23 other
12 non-combustible gasses 21a xxx n, such as nitrogen are added
13 via pressure inlet means to the mixture.

14 Although certain and specific embodiments are shown and
15 described, alternatives and modifications may be had without
16 departing from the spirit and scope of the invention.

THE EMBODIMENTS OF THE INVENTION IN WHICH AN EXCLUSIVE PROPERTY OR PRIVILEGE IS CLAIMED ARE DEFINED AS FOLLOWS:

1. Apparatus comprising:
 - a housing having a water reservoir for retaining water therein and a gas collection chamber;
 - a pair of similar non-oxidizing exciter elements positioned in said water reservoir and adapted to be connected to a voltage potential that creates a negative charge on one of the exciter elements and a positive charge on the other and thereby release gases including hydrogen and oxygen from water in the reservoir;
 - a non-magnetic tubing connected at one end to said collection chamber via an outlet therefrom;
 - a magnetic polarizer positioned for magnetically charging gas flowing through said tubing; and
 - an inductive winding positioned over said tubing downstream from said polarizer whereby flux lines of magnetized gas passing through said tubing and traversing said inductive winding induce a current/voltage in said inductive winding.

2. The apparatus of Claim 1 further comprising:
 - gas utilization means connected to the other end of said tubing for utilizing said generated hydrogen/oxygen gas mixture.

3. The apparatus of Claim 1 further comprising:
 - a nozzle connected to the other end of said tubing,

said nozzle having a port of pre-determined size and configuration through which the gases are expelled, and means for igniting said gases.

4. The apparatus of Claim 1 further comprising:
control means for maintaining a predetermined gas pressure in said collection chamber.

5. The apparatus of Claim 1 further comprising:
a pressure gauge for determining the pressure in said collection chamber, and
switch means for controlling the voltage potential source to terminate the generation of hydrogen/oxygen gases upon said collection chamber attaining a predetermined pressure.

6. The apparatus of Claim 1 further comprising:
a gas line tubing connected to the other end of said non-magnetic tubing and to said collection chamber in a closed loop arrangement.

7. The apparatus of Claim 1 further comprising:
a gas line tubing connecting the other end of said non-magnetic tubing to said collection chamber in a closed loop arrangement, and

means in said gas line tubing for maintaining said polarized hydrogen and oxygen atoms circulating through said non-magnetic tubing.

8. The apparatus of Claim 1 further comprising:

a gas line tubing connected to the other end of said non-magnetic tubing^{and} to said collection chamber in a closed loop arrangement, and

a unidirectional valve connected to the end of said gas line tubing^{which is} connected to said collection chamber.

9. The apparatus of Claim 1 further comprising:

a gas line tubing and gas utilization means, a Y-type connector for alternately connecting said gas line tubing to said gas utilization means and said collection chamber in a closed loop arrangement.

10. The apparatus of Claim 1 further comprising:

a gas line tubing and gas utilization means, a Y-type connector for alternately connecting said gas line tubing to said gas utilization means said collection chamber in a closed loop arrangement,

two directional valve means, and

a demand circuit connected to said valve means for selectively connecting said gas line tubing to said gas utilization means or said collection chamber in response to pre-determined conditions.

11. An apparatus comprising:
a gas generator housing having a gas collection chamber for maintaining a preset volume of gas therein under pressure,
outlet means from said gas collection chamber,
a non-magnetic tubing connected to said outlet means,
a magnetic polarizer positioned adjacent said outlet means between said chamber and said tubing for magnetically charging gas expelled from said chamber through said outlet means, and
an inductive coil positioned over said non-magnetic tubing whereby the flux lines of magnetized gas passing through said tubing and traversing said inductive coil, induce a current/voltage therein.

12. The apparatus of Claim 11 wherein:
said gas is a combustibile gas, and utilization means connected to the opposite end of said non-magnetic tubing for utilizing said gases.

13. The apparatus of Claim 11 wherein:
said coil comprises a plurality of windings wound in parallel, and wherein said induced voltage/current therein is of a single polarity.

/S

14. The apparatus of Claim 11 wherein:
said coil comprises a plurality of windings
connected in series polarity.

15. The apparatus of Claim 11 wherein:
said coil comprises a plurality of windings and
wherein the number of said plurality of windings is
determinative of the frequency of the said induced
voltage/current therein.

16. The apparatus of Claim 11 further comprising:
means for varying the pressure of said gas in said
collection chamber to vary the output frequency of said
induced voltage in said coils.

17. The apparatus of Claim 11 further comprising:
means for varying the generation of said gas to
vary the pressure of said gas in said collection chamber to
vary the output frequency of said induced voltage in said
coils.

18. The apparatus of Claim 11 further comprising:
means for adding non-combustible gases to said
collection chamber to vary the pressure of said gas in said
collection chamber to vary the output frequency of said
induced voltage in said coils.

19. The apparatus of Claim 11 wherein:
 said non-magnetic tubing further comprises
means connected thereto for returning said magnetized gas
to said collection chamber, and
 means for recirculating said gas through
said chamber, said non-magnetic tubing and said last named
means.

20. The apparatus of Claim 11 wherein:
 said non-magnetic tubing further comprises
means connected thereto for returning said magnetized gas
to said collection chamber,
 a particle accelerator for recirculating
said gas through said chamber, said tubing, and said last
named means.

21. Apparatus comprising:

a closed vessel suitable for maintaining a volume of water therein, and permitting the addition of water thereto;

a pair of electrically conductive exciter elements formed of a same non-reactive material located in said vessel in a predetermined spatial relationship to one another and adapted to be connected to a source of a voltage potential that creates a potential difference between an arbitrary electrical ground and the source output with one of said exciter elements being connected to said arbitrary electrical ground and the other of said exciter elements being connected to said source output, whereby there is formed a nominally positive electrical voltage zone in water adjacent said exciter element connected to said output and a nominally negative voltage zone in water adjacent said exciter element connected to said electrical ground as the voltage potential is applied thereto to a degree such that the hydrogen atoms and the oxygen atoms disassociate from water molecules in the vessel and are released in the form of a gas mixture;

a gas collection chamber for maintaining a volume of said gas released from water when in the vessel and a potential difference is applied to said exciter elements;

a non-magnetic tubing connected at an outlet from said collection chamber;

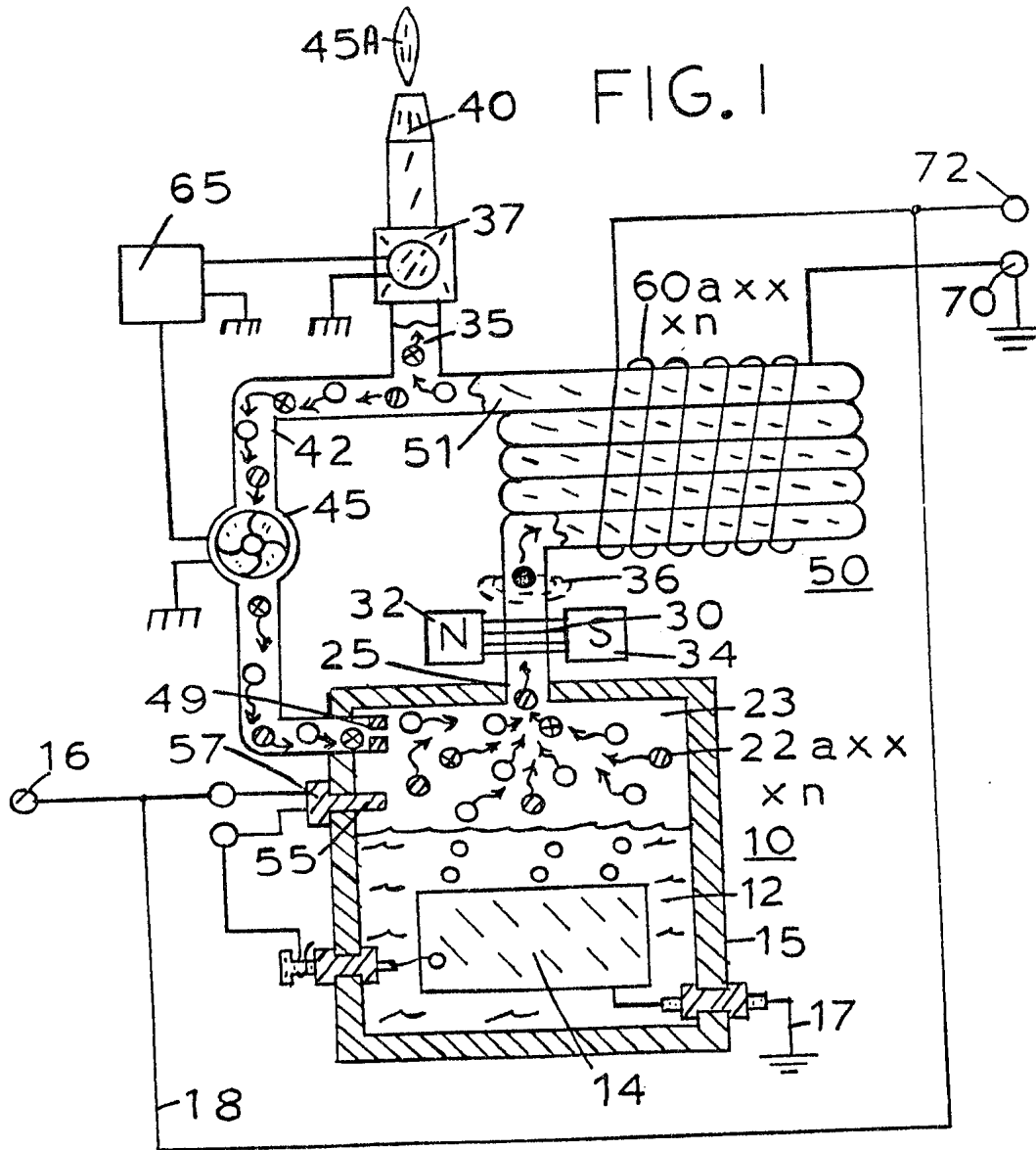
a magnetic polarizer positioned adjacent the end of said tubing as the gas is expelled from said outlet; and

1228833

an inductive winding positioned over said tubing wherein flux lines of the magnetized gas passing through said tubing, traverse said inductive winding and induce a current in said inductive winding.

19





Johnson + Hicks
PATENT AGENTS

B

